

- Cl. I, Div. 2, Groups A,B,C,D
- Maintains Cl. I, Div 2
Suitability of Cooper Crouse-Hinds
Champ® Series Luminaires

The only UL recognized photocell for Class I, Division 2 areas eliminates the need for an explosionproof box.

When mounting in EIH enclosures for Class I, Division 1 applications (EV21H Series) seals are not required for Groups C & D.

Cooper Crouse-Hinds V2PC factory-sealed, field installed photocell offers reliable, dusk-to-dawn lighting control in Class I, Division 2 locations. The V2PC is ideal for walkways, security lighting, and any other outdoor lighting application that utilizes Champ® H.I.D. lighting luminaires.

Applications:

The V2PC is designed:

- to provide control for automatic dusk-to-dawn lighting.
- for use with LMV, DMV, VMV, VMV High Wattage, N2MV and FMV Series Champ® lighting luminaires.
- for use on 35-400 watt H.I.D., incandescent, or fluorescent lighting luminaires.
- to save energy by operating luminaires only when necessary.
- for safety by turning on outdoor luminaires in critical passageways at night.
- for walkways, parking areas, outdoor process areas, security lighting, or any outdoor lighting application in Class I, Division 2 locations and corrosive environments.
- for remote mounting in FS boxes (D2S Series).
- for mounting in EIH enclosures for Class I, Division 1 applications (EV21H Series).

Features:

- Field-installable.
- Solid-state design for performance and dependability.
- Factory sealed components.
- Explosionproof enclosure not required for Class I, Division 2 locations.
- Luminaires turn on at 3 footcandles, off at 8 footcandles insuring that the luminaires are operating only when needed.
- Built-in 10 second time delay to eliminate nuisance tripping.
- Eight-year operating life.
- Furnished with 6" stranded 600 volt color coded wire leads.
- Constructed from corrosion-resistant thermoplastic polyester.
- Available on a DS cover for use with any FS/FD box (D2S Series).
- Available in an EIH enclosure for use in Class I, Division 1, Groups B†, C, and D locations (EV21H Series). No seals required.

Electrical Rating Ranges:

- 120, 208, 220, 240, 277 VAC
- 50/60 Hz
- 35-400 watt H.I.D., incandescent, or fluorescent
- V2PC20 – 3.3A max. current rating
- V2PC22 – 1.8A max. current rating
- V2PC27 – 1.4A max. current rating

† For Group B applications, seal within 1½" of enclosure in accordance with Section 501-5 of the National Electric Code*.



Certifications and Compliances:

V2PC and D2S

- NEC/CEC: Class I, Division 2, Groups A, B, C, D

- UL Standard: 844 – Hazardous (Classified) Locations

- CSA: C22.2 No. 55

EV21H

- NEC/CEC:

Class I, Division 1 and 2, Groups B, C, D

Class II, Division 1, Groups E, F, G

Class II, Division 2, Groups F, G

Class III

- NEMA: 3, 4, 7BCD, 9EFG

- UL Standard: 844 – Hazardous (Classified) Locations

- CSA: C22.2 No. 30, 55

Options:

To order luminaire with **photocell factory installed**:

1. Specify luminaire dedicated supply voltage (not MT, DT, or TT)
2. Add photocell Cat. No. to fixture Cat. No. as follows:
V2PC20
V2PC22
V2PC27

Example: VMVSJ070GP/120-V2PC20 is a 120V 60Hz luminaire with a factory installed photocell.

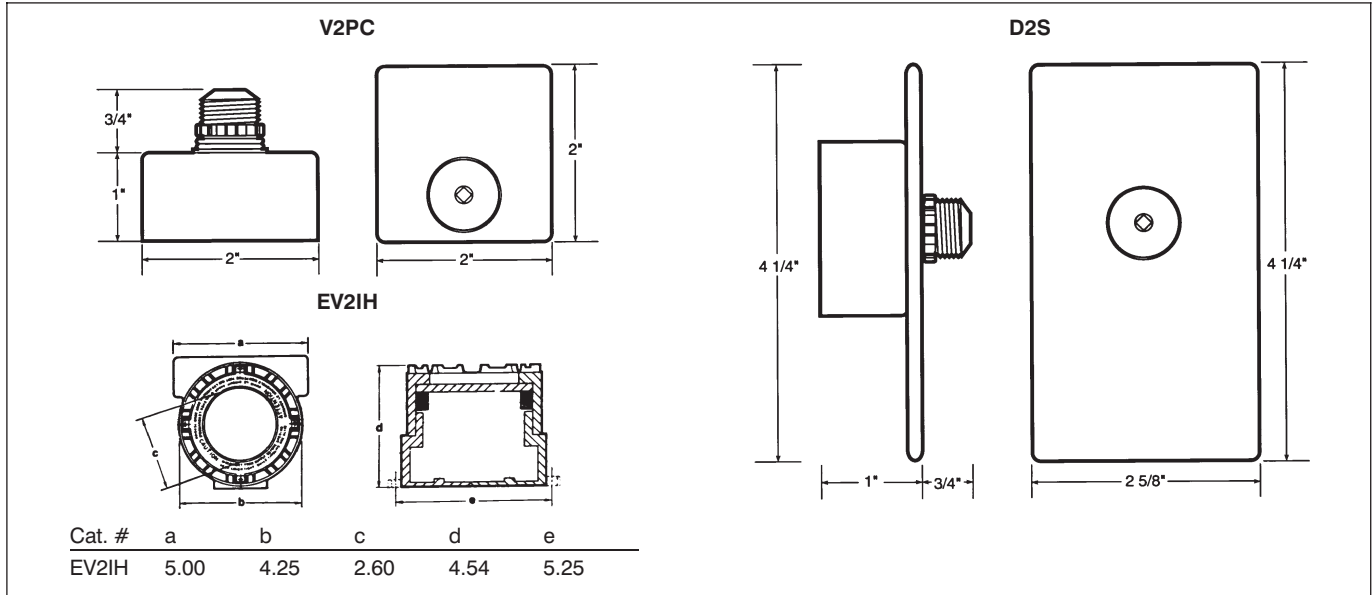
3L

V2PC Photocell

Dimensions
Ordering Information

- Cl. I, Div. 2, Groups A,B,C,D
- Maintains Cl.I, Div. 2 Suitability of Cooper Crouse-Hinds Champ® Series Luminaires

Dimensions:



Ordering Information



Photocell for field installation*

Catalog #	Voltage Range
V2PC20	120V, 50/60 Hz
V2PC22	208-240V, 50/60 Hz
V2PC27	277V, 50/60 Hz

* Must be factory installed in Canada — see page 777.



Photocell in DS cover for use with FS/FD box

Catalog #	Voltage Range
D2S20	120V, 50/60 Hz
D2S22	208-240V, 50/60 Hz
D2S27	277V, 50/60 Hz



Photocell in EIH enclosure for use in Class I, Division 1, Groups B, C, and D; Class II, Division 1, Groups E, F, and G; and Class III locations

Catalog #	Voltage Range
EV2IH20	120V, 50/60 Hz
EV2IH22	208-240V, 50/60 Hz
EV2IH27	277V, 50/60 Hz